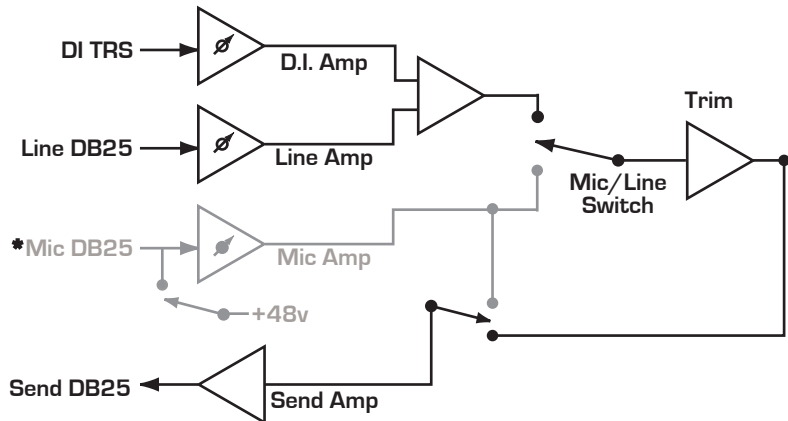
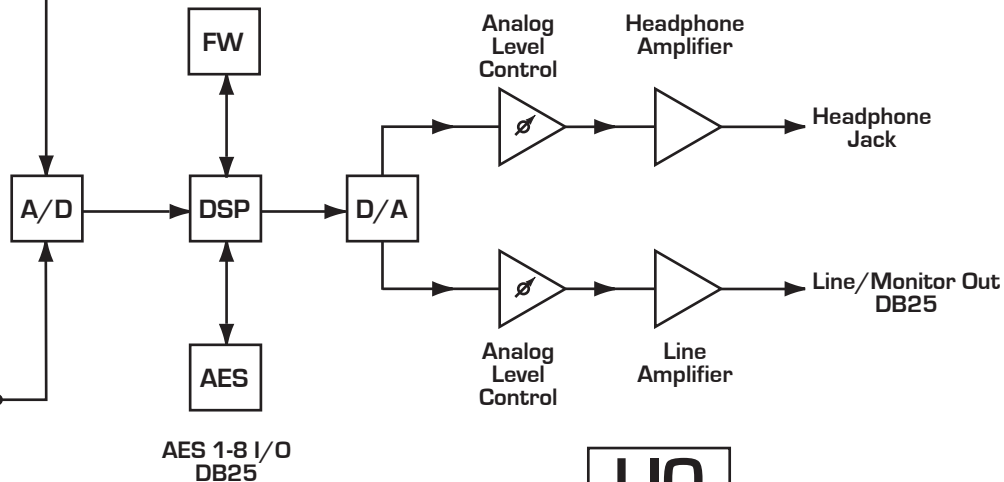
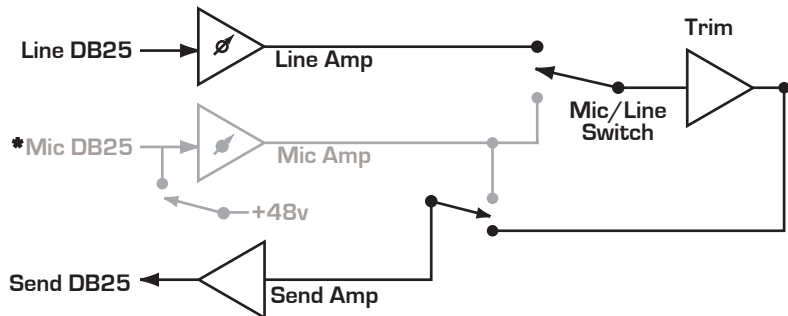


Analog Input 1-2



Analog Input 3-8



Block Diagram

Rev. 1.0

* Microphone preamps are optional in groups of four